

100V Hot Air Generator

The first type using 100V
Can be used for 100°C hot air circulation.



HAP1012 (100V 1.2kW)

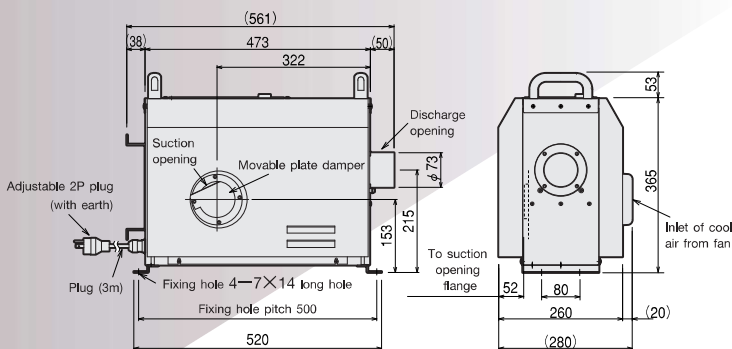
Features

- High-cleanliness and durability due to stainless sheathed heater
- Despite using 100V, it can be used for rotation of hot air up to 100°C.
The maximum temperature to be controlled is 120°C.
- Can be used for a primary drying furnace or preheating furnace.

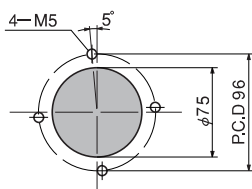
Applications

- Raising temperature, heating or drying the inside of a drying furnace
- Removing water after cleaning
- Drying or hardening attached electrical parts
- Drying water-based coatings
- Preheating or drying coated parts
- Heating or sterilizing apparatus used for food preparation

Dimensions • Specifications



Suction opening size
(Without suction pipe)



100V Hot Air Generator Product in stock

Model No.	HAP1012	
Product code	00700710	
Voltage	100 V (50/60 Hz)	
Heater capacity	1.2 kW	
Discharge gas temperature (ambient temperature: 20°C, without circulation)	30~40°C (with damper open) 60~80°C (with damper close)	
Thermostat temperature setting range	33~120°C	
Reference airflow volume (50/60 Hz)	3.9/4.6 m ³ /min (with damper open) 1.2/1.5 m ³ /min (with damper close)	
Airflow volume adjusting control	Adjust suction volume with movable plate damper	
Suction opening diameter	φ 75 (SPCC pipe)	
Discharge opening diameter	φ 73 (Stainless pipe)	
Suction air temperature	-10°C ~100°C	
Weight	24 kg	
Power supply	Cable (VCT) 3 m	
Fan specifications	Maximum airflow volume	5.4/6.2 m ³ /min (50/60 Hz)
	Maximum static pressure	0.63/0.91 kPa (50/60 Hz)
	Capacity	0.15 kW (50/60 Hz)
	Maximum noise	68 dB