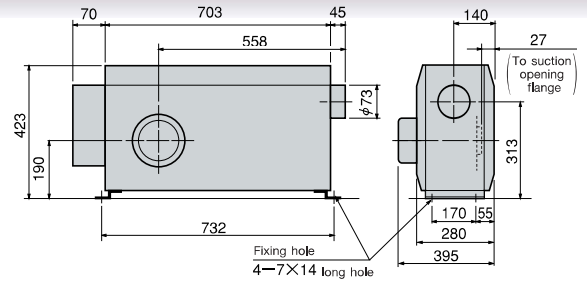


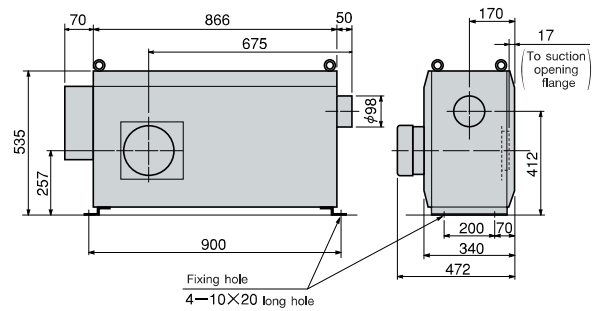
New Controller Series HAP2000T

High-blast and large volume airflow. Equipped with controller and inverter for easy adjustment of temperature and airflow volume. Controller can be separated from the body.

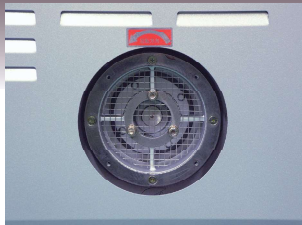
HAP2051T (Three-phase 200V 5kW)



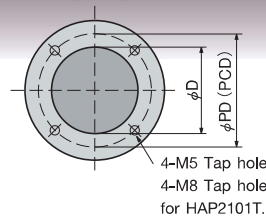
HAP2101T (Three-phase 200V 10kW)



Suction opening



Suction opening size



Model No.	φ D	φ PD
HAP2051T	120	140
HAP2101T	150	180

The suction opening is positioned opposite the blast motor in all models.

Series HAP2000T		Made-to-order product	
Model No.	HAP2051T	HAP2101T	
Product code	00700810	00700820	
Power source	Three-phase 200 V (50/60 Hz)		
Total capacity	5.4 kW	11.5 kW	
Heater capacity	5 kW	10 kW	
Gas temperature range at discharge opening	Normal temperature ~ 350°C*		
Airflow volume range (30 Hz~60 Hz)	3.2 m³/min ~ 6.5 m³/min	7.2 m³/min ~ 14.7 m³/min	
Airflow volume adjustment	Based on the revolution speed change by inverter		
Inverter output frequency range	30 Hz ~ 60 Hz		
Suction opening diameter	φ 120 mm hole	φ 150 mm hole	
Discharge opening diameter	φ 73 mm stainless steel pipe	φ 98 mm stainless steel pipe	
Suction air temperature	-10°C ~ 150°C		
Specifications of hot air generator	Maximum airflow volume (60 Hz)	9.2 m³/min	16.3 m³/min
	Maximum static pressure (60 Hz)	3.0 kPa	5.5 kPa
	Capacity	Three-phase 200 V 0.4 kW	Three-phase 200 V 1.5 kW
	Maximum noise (60 Hz)	80 dB	89 dB
Power supply - Electrical cable	VCT 4 cores × 3.5 mm² × 3 m	VCT 4 cores × 8 mm² × 3 m	
Weight	42 kg	72 kg	

*Gas temperature varies depending on the conditions of use. The product should not be used higher than the maximum temperature.