

# Series 3000 Hot Air Generator

**Extreme static pressure!!**

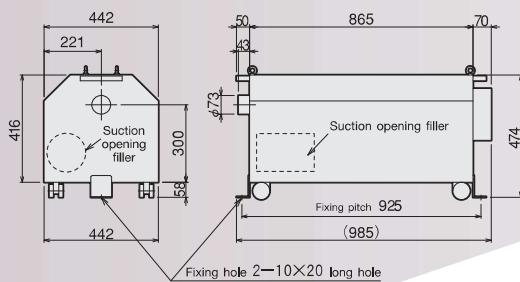
**High-blast hot air fan equipped with excess flow fan.**



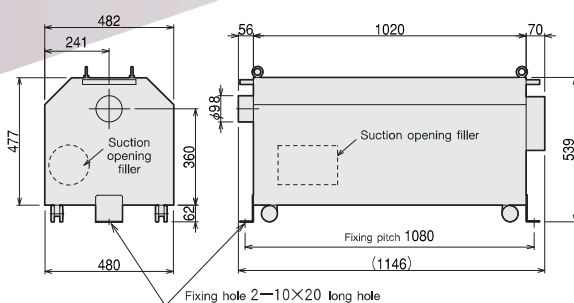
**HAP3100**  
(Three-phase 200V 10kW)

## Dimensions • Specifications

### <HAP3050>



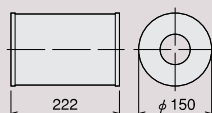
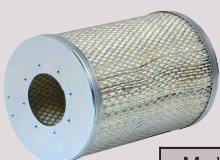
### <HAP3100>



## Applications

- Raising temperature, heating or drying of the inside of a drying furnace
- Removing water or drying after cleaning
- Bubbling drying of water or other liquids

### ● Suction opening filler (consumable)



Model No.	Product code	Applicable models
PFF3000	00951470	HAP3050, HAP3100

## Features

- Equipped with excess flow fan, which is very effective under the environment where pressure loss is large.
- High-blast makes drying by air blow easy.
- High-cleanliness and durability due to stainless steel sheathed heater
- High-safety
- Controller can be separated from the body. Easy to build various devices in.

Series HAP3000		Made-to-order	
Model No.	HAP3050	HAP3100	
Product code	00700905	00700910	
Power source	Three-phase 200 V (50/60 Hz)		
Total capacity	6.9kW	13.4kW	
Heater capacity	5kW	10kW	
Gas temperature range at discharge opening	Normal temperature + $\alpha^{*1}$ ~ 300°C		
Airflow volume adjustment	Based on the revolution speed change by inverter		
Inverter output frequency range	30 Hz ~ 60 Hz		
Airflow volume range	1.7 ~ 3.3 m <sup>3</sup> /min	2.6 ~ 4.6 m <sup>3</sup> /min	
Discharge opening diameter	$\phi$ 73 Stainless steel pipe	$\phi$ 98 Stainless steel pipe	
Suction air temperature	-5°C ~ 40°C <sup>*2</sup>		
Specifications of hot air generator	Type	Excess blow fan	
	Maximum airflow volume (60 Hz)	4.0 m <sup>3</sup> /min	5.5 m <sup>3</sup> /min
	Maximum static pressure (60 Hz)	19.6 kPa	27.5 kPa
	Capacity	1.9kW	3.4kW
	Maximum noise (60 Hz)	69.5 dB	74.5 dB
Power supply - Electrical cable	VCT 4 cores $\times$ 3.5 mm <sup>2</sup> $\times$ 3 m	VCT 4 cores $\times$ 8 mm <sup>2</sup> $\times$ 3 m	
Weight	85 kg	125 kg	

\*1 :  $\alpha$  = approx. 15°C at 60Hz.

\*2 : Hot air convection is not available.