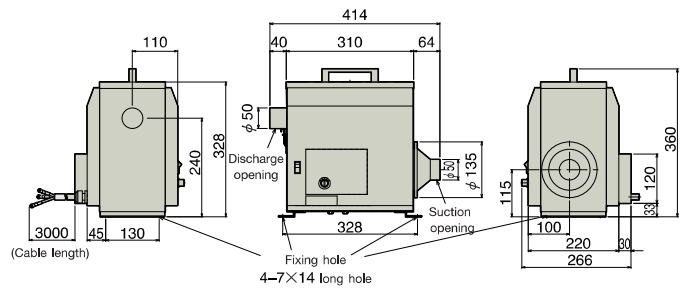
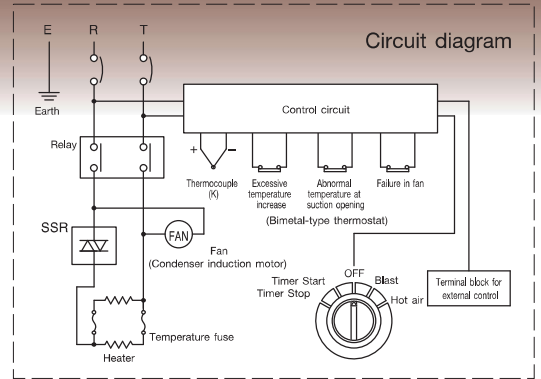


with controller

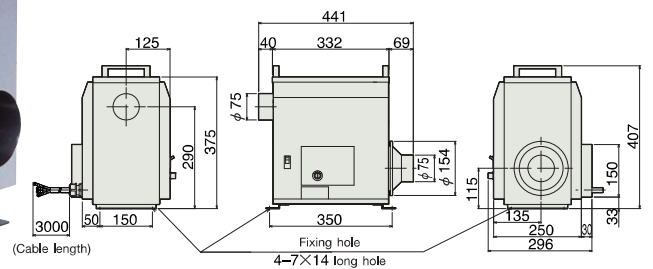
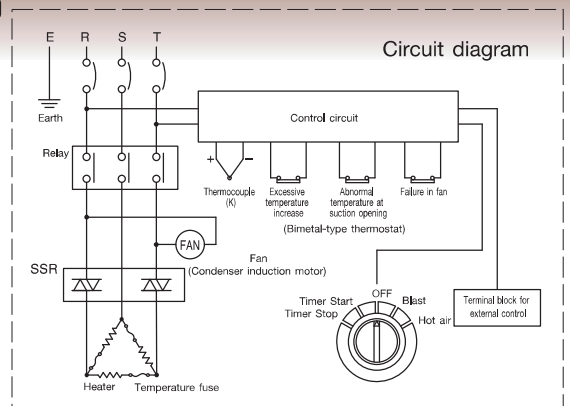
# Series HAP4000

Lightweight and compact size. Easy-to-set temperature due to built-in controller.

## HAP4020 / HAP4030 (Single-phase 200V 2kW/3kW)



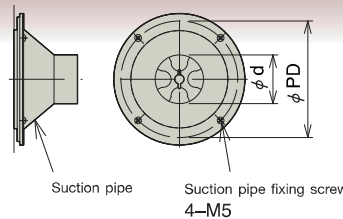
## HAP4530 / HAP4550 (Three-phase 200V 3kW/5kW)



## Suction opening



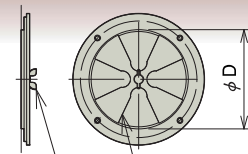
With suction pipe



Suction pipe

Suction pipe fixing screw 4-M5

Without suction pipe



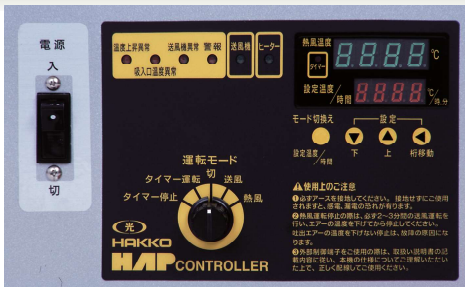
Airflow volume adjustment board

Airflow volume adjustment board fixing thumbscrew

Model No.	φ d	φ D	φ PD
HAP4020 / 4030	50	100	120
HAP4530 / 4550	75	125	140

- To adjust airflow volume, remove the suction pipe, and turn the airflow volume adjustment board.
- When removing the suction pipe, airflow volume is increased.
- Please install the suction pipe when using the circulation function.

## Operation panel



### [Operating Functions]

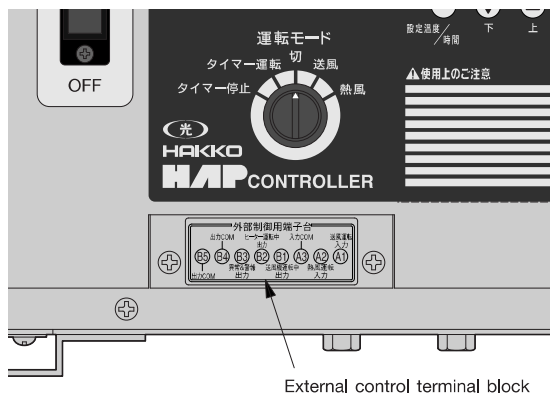
- OFF key.....Stop the operation.
- Blast key.....Operate the fan only.
- Hot Air key.....Operate both the heater and fan.
- Timer Start key\*1 Start the operation after the specified time.
- Timer Stop key\*1 Stop the heater after the specified time and then the fan after the delayed time (2 minutes).

\*1 : Timer range  
00 hrs 00 min ~ 99 hrs 59 min

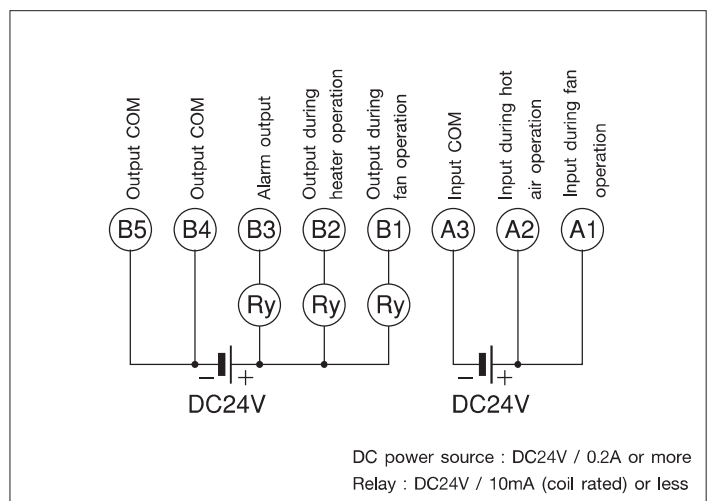
### [Display Functions]

- Current temperature Illuminated while the power is on.
- Preset temperature Illuminated while the power is on.
- Blast Illuminated during the blast operation.
- Heater Illuminated while the heater is operating.
- Timer Illuminated or flashing while the timer-control start or stop mode is turned on.
- Excessive temperature increase Illuminated when excessive temperature increase is detected.
- Abnormal suction temperature Illuminated when abnormal temperature is detected at suction opening.
- Fan Failure Illuminated when the temperature of the fan motor increases.
- Alarm Illuminated for any error such as a temperature control error.

## External control terminal block



External control terminal block



## Series HAP4000

Product in stock

Model No.	HAP4020	HAP4030	HAP4530	HAP4550
Product code	00700510	00700520	00700530	00700540
Power source	Single-phase 200 V (50/60 Hz)		Three-phase 200 V (50/60 Hz)	
Heater specifications	Type of heater	Sheathed heater		
	Capacity	2 kW	3 kW	3 kW
Fan specifications	Type of motor	Condenser induction motor		
	Power consumption (50/60 Hz)	53/50 W		62/74 W
Temperature sensor	K type thermocouple			
Control method	PID control method (SSR drive)			
Discharge gas temperature range*1	Normal temperature ~450°C		Normal temperature ~350°C	
Maximum airflow volume (50/60 Hz)	1.2/1.5 m <sup>3</sup> /min (with suction pipe)		2.3/2.6 m <sup>3</sup> /min (with suction pipe)	
	2.0/2.4 m <sup>3</sup> /min (without suction pipe)		2.7/3.1 m <sup>3</sup> /min (without suction pipe)	
Maximum static pressure (50/60 Hz)	0.18/0.26 kPa		0.30/0.43 kPa	
Maximum noise (50/60 Hz)	59/63 dB		65/69 dB	
Airflow volume adjusting method	Adjust suction volume from the airflow volume adjustment board.			
Suction opening diameter	φ 50 mm pipe (when suction pipe is set)		φ 75 mm pipe (when suction pipe is set)	
	φ 100 mm hole (when suction pipe is not set)		φ 125 mm hole (when suction pipe is not set)	
Discharge opening diameter	φ 50 mm pipe		φ 75 mm pipe	
Suction gas temperature	-10°C ~150°C			
Power supply / Electrical cable	VCT 3 cores × 3.5 mm <sup>2</sup> × 3 m (one of the cores is an earth wire.)		VCT 4 cores × 3.5 mm <sup>2</sup> × 3 m (one of the cores is an earth wire.)	
Setting direction	Horizontal			
Weight	12 kg		16 kg	

\*1 : Gas temperature varies depending on the conditions of use. The product should not be used below the maximum temperature or higher.