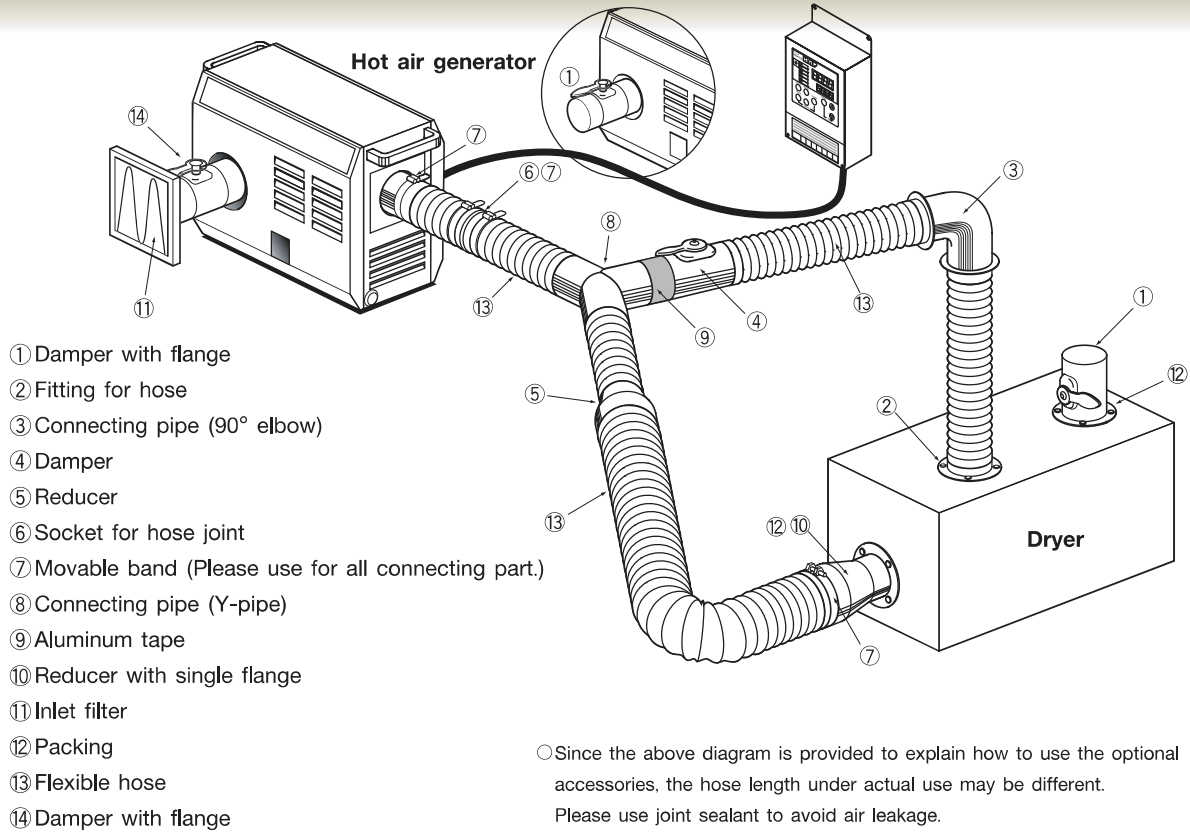
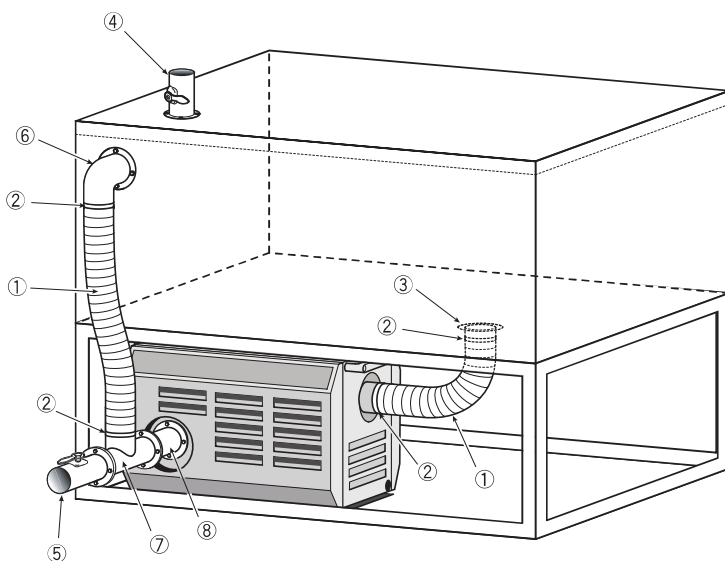


# How to use the optional accessories



## <Examples of how to use during convection operation>

Convection will make heating efficient.



- ① Flexible hose
- ② Movable band
- ③ Fitting for hose
- ④ Damper with flange [to adjust discharge]
- ⑤ Damper with flange [to adjust suction]
- ⑥ Connecting pipe [elbow pipe (with flange)]
- ⑦ Connecting pipe [T-pipe with flange (A type)]
- ⑧ Socket with double flange

### – Precautions during convection operation –

- (1) Provide discharge openings with the number equivalent to suction openings.
- (2) The length of pipes or duct hoses should be made as short as possible. The R bending part should be minimized.
- (3) Design piping so that fresh air can be taken.
- (4) It is recommended to take some fresh air through the discharge opening for drying water.
- (5) The pipes or the area around the discharge opening may reach a high temperature. Please be careful to avoid burns. It is recommended to provide insulation in duct hose for safety and heat efficiency.